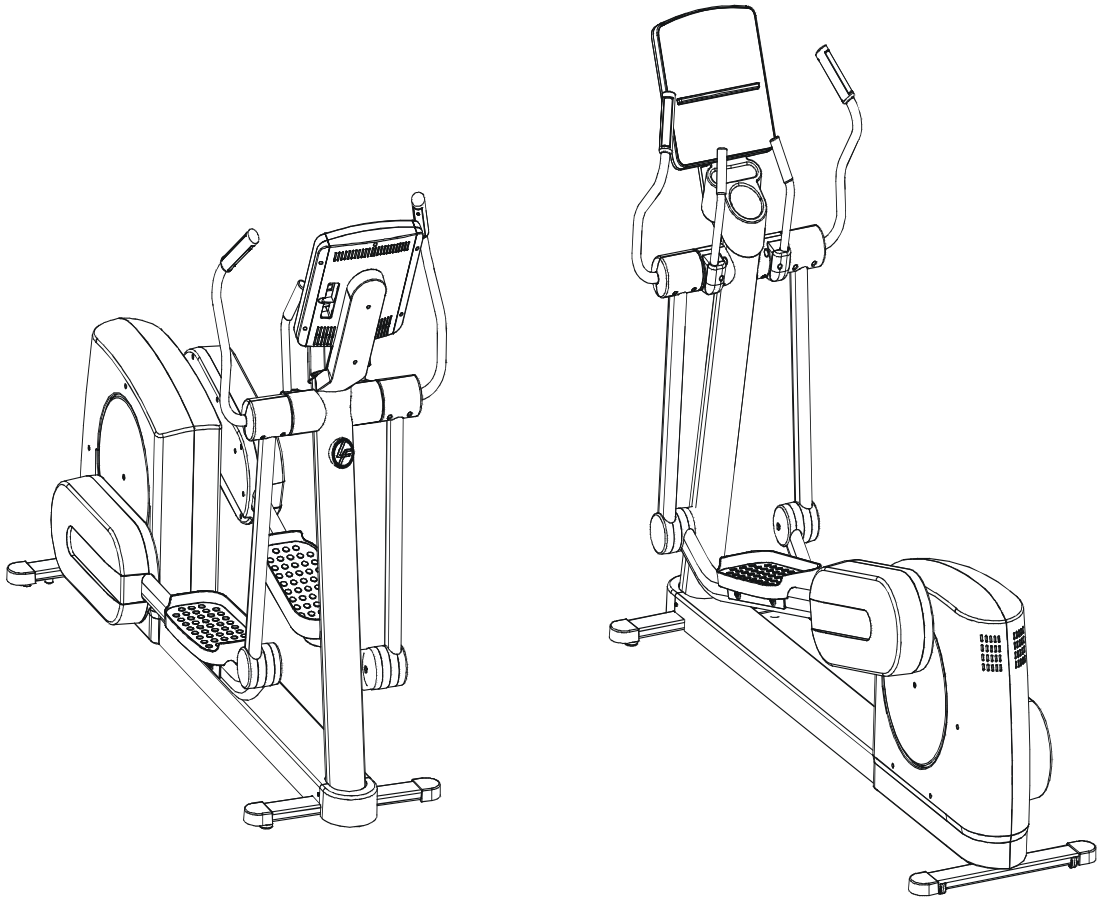


# LifeFitness

Classic Cross-trainer CLSXH-0XXX-01  
(international only)



Customer Support Services  
**PARTS MANUAL** rev 09 Apr 2008

Console Support and Deadshaft Covers ..... 4  
Handlebars and Bullhorns ..... 5  
Console and Related Components ..... 6  
Upper Frame Hardware ..... 7  
Rocker Arms and Pedal Levers ..... 8  
Crank Cover and Lower Caps ..... 9  
Lower Frame Shrouds and Hardware ..... 10  
Pedal Lever Components ..... 11  
PCB, Battery, Reed Switch, and Bracket ..... 12  
Bearing Insert Assembly ..... 13  
Crank Arm Pulley Assembly ..... 14  
Drive Module ..... 15  
Drive Module Hardware ..... 16  
Cables ..... 17

| Description   | Part No.   |
|---|--|
| OPERATION MANUAL (CD)   | OKCD-02003-0001  |
| SERVICE MANUAL  | M051-00K62-A149  |
| TOUCH UP PAINT:<br>SPRAY CAN<br>.5 OZ BOTTLE W/APPLICATOR<br>.33 OZ PEN   | 0017-00008-0204<br>0017-00008-0205<br>0017-00008-0206  |
| HARDWARE BAG  | AK62-00152-0001  |
| ACCESS PANEL ASSEMBLY<br>CONSISTS OF:<br>120" COAX CABLE<br>120" POWER EXTENSION CABLE<br>BRACKET<br>F-TYPE PANEL CONNECTOR<br>#8 PLASTIC GROMMET | AK62-00210-0000<br>AK32-00020-0002<br>AK32-00078-0001<br>OK62-01179-0001<br>0017-00021-2846<br>0017-00042-0754 |
| PLUG IN OPTION 120/60   | GK62-00002-0018  |
| PLUG IN OPTION 240/50 UK  | GK62-00002-0019  |
| PLUG IN OPTION 240v AUS   | GK62-00002-0020  |
| PLUG IN OPTION 230/50 CONT  | GK62-00002-0021  |

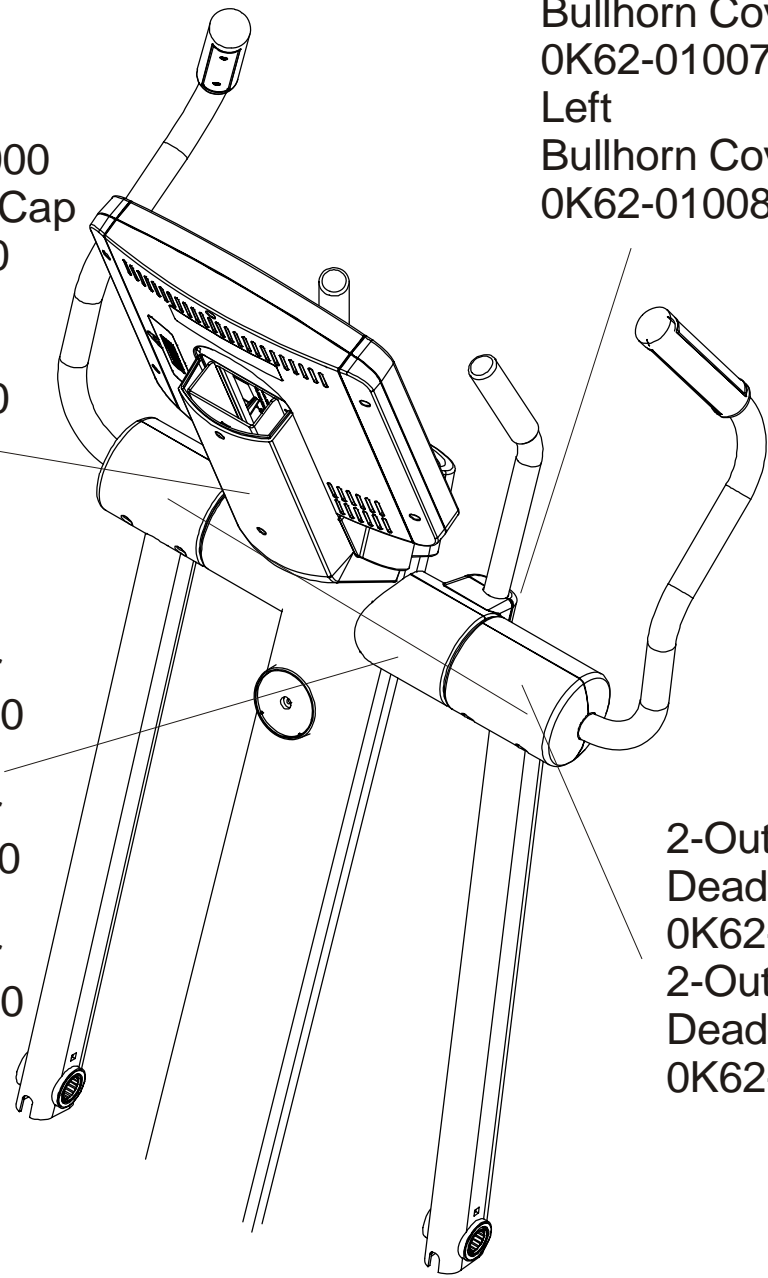
This treadmill has both Lifepulse sensors and telemetry for reading heart rate.

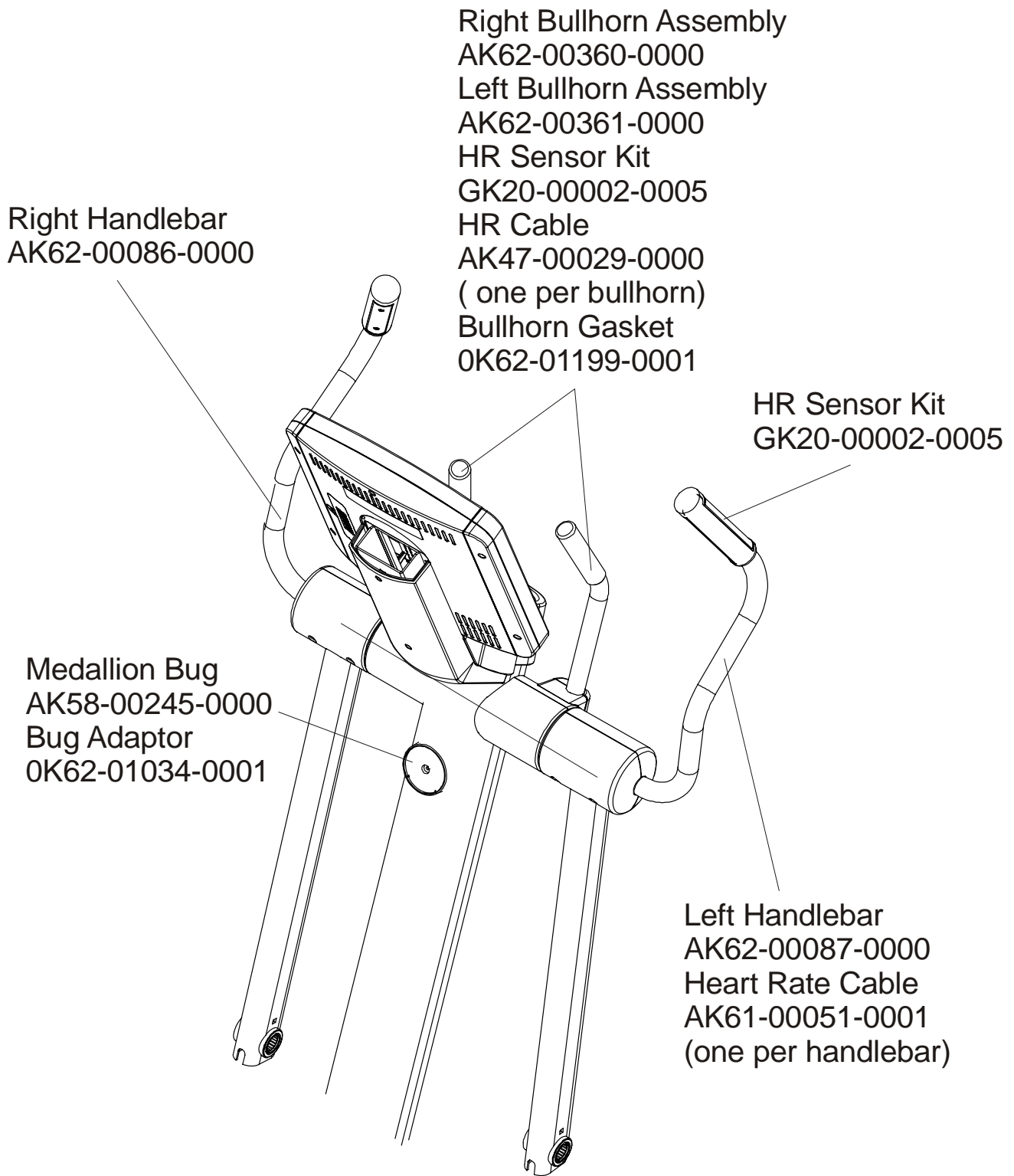
Console Support  
MAK62-00123-0000  
Console Support Cap  
0K62-01030-0000  
Console Support  
Shroud  
0K62-01023-0000

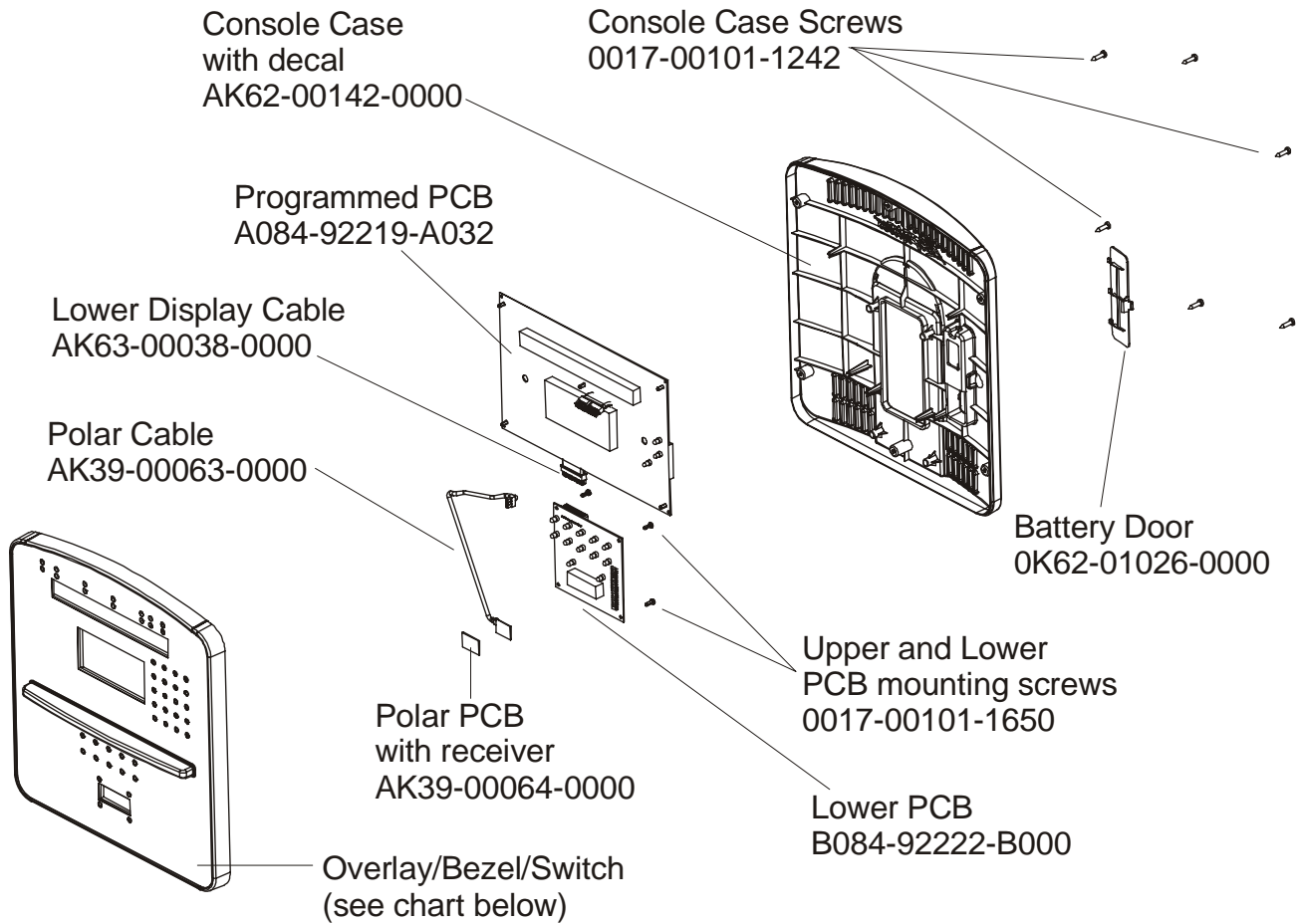
Right  
Bullhorn Cover  
0K62-01007-0001  
Left  
Bullhorn Cover  
0K62-01008-0001

Right Inside  
Deadshaft Cover  
0K62-01010-0000  
Left Inside  
Deadshaft Cover  
0K62-01011-0000  
2-Front Inside  
Deadshaft Cover  
0K62-01009-0000

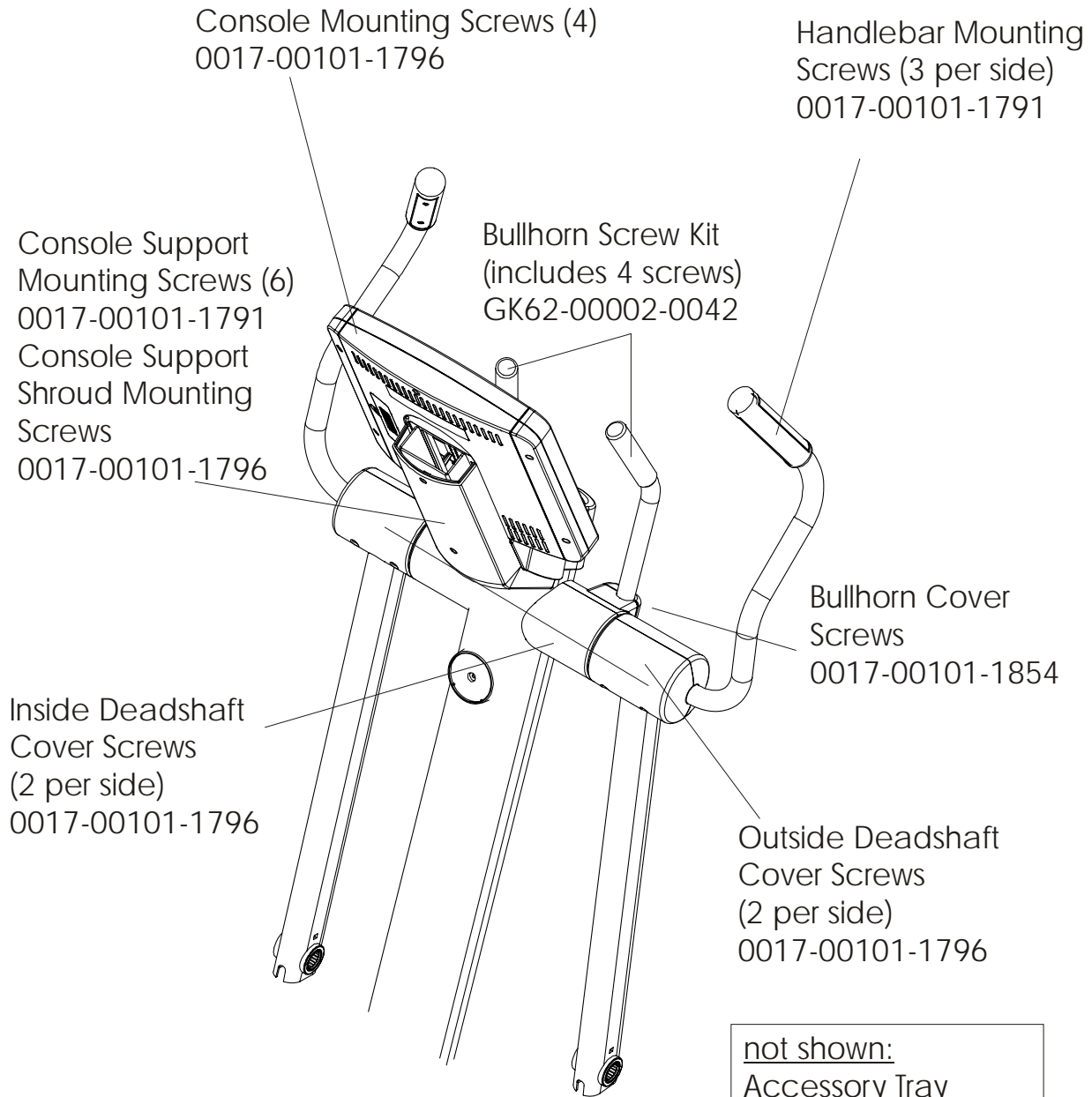
2-Outside Front  
Deadshaft Cover  
0K62-01013-0000  
2-Outside Rear  
Deadshaft Cover  
0K62-01012-0000



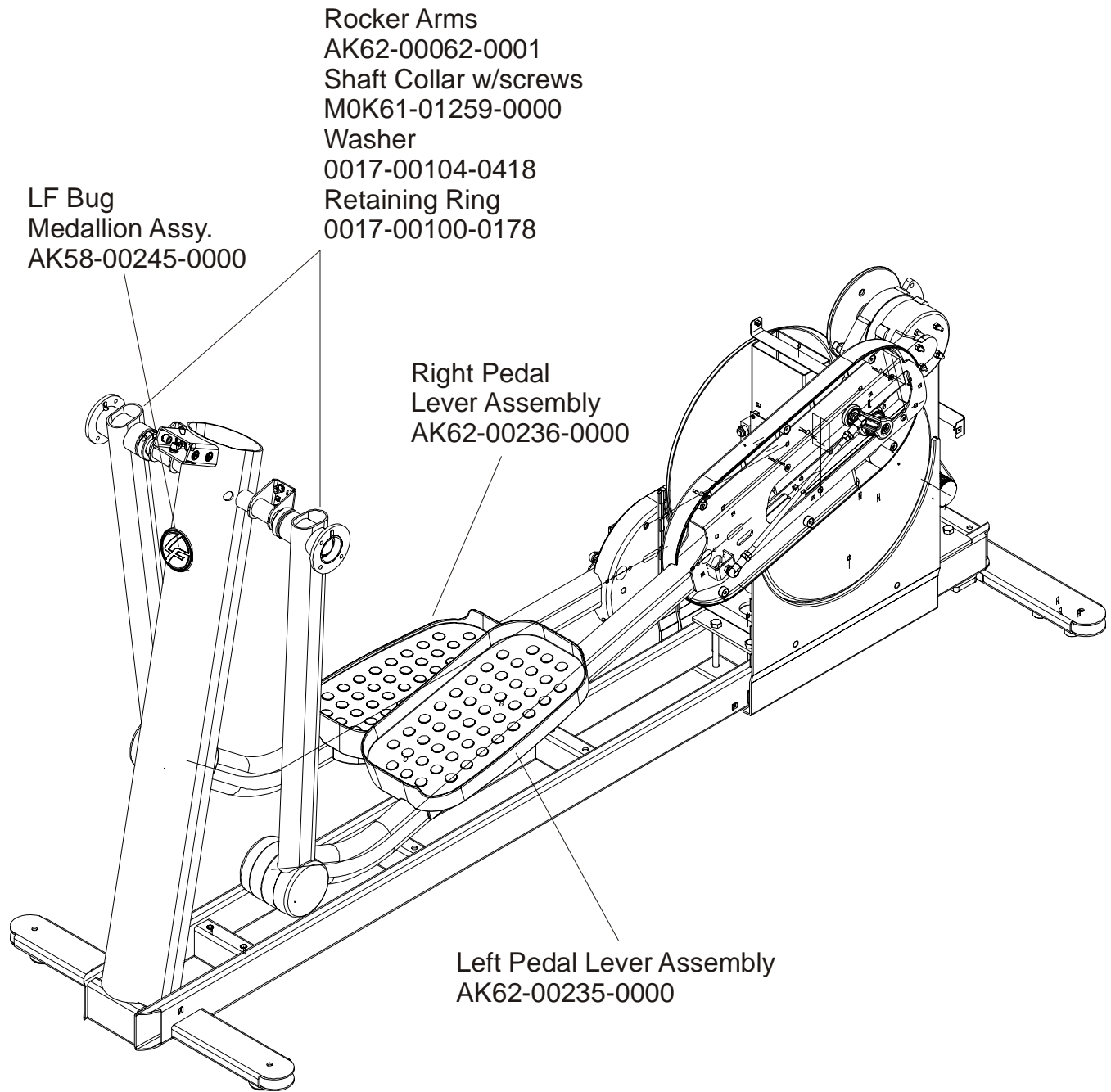




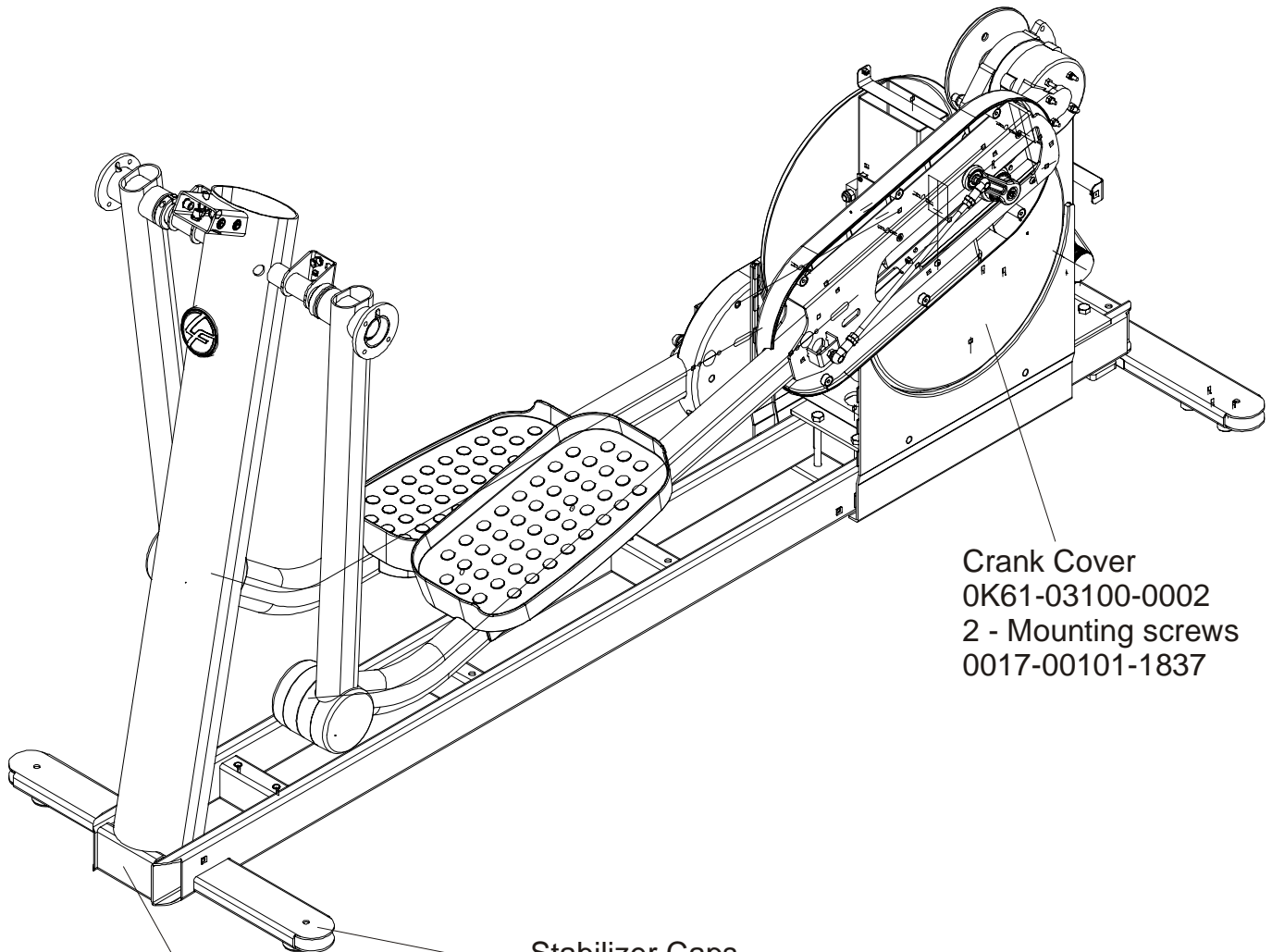
| Language  | Part Nos.       |                      |
|-----------|-----------------|----------------------|
|           | Console         | Overlay/Bezel/Switch |
| Eng + Met | AK62-00329-0001 | AK62-00191-0001      |
| Ger/Met   | AK62-00329-0003 | AK62-00191-0003      |
| Spn/Met   | AK62-00329-0004 | AK62-00191-0004      |
| Jap/Met   | AK62-00329-0006 | AK62-00191-0006      |
| Frn/Met   | AK62-00329-0007 | AK62-00191-0007      |
| Ital/Met  | AK62-00329-0008 | AK62-00191-0008      |
| Dut/Met   | AK62-00329-0009 | AK62-00191-0009      |
| Port/Met  | AK62-00329-0010 | AK62-00191-0010      |
| Turk/Met  | AK62-00329-0014 | AK62-00191-0014      |



not shown:  
Accessory Tray  
OK62-01022-0000  
Mounting Screws (2)  
0017-00101-1846



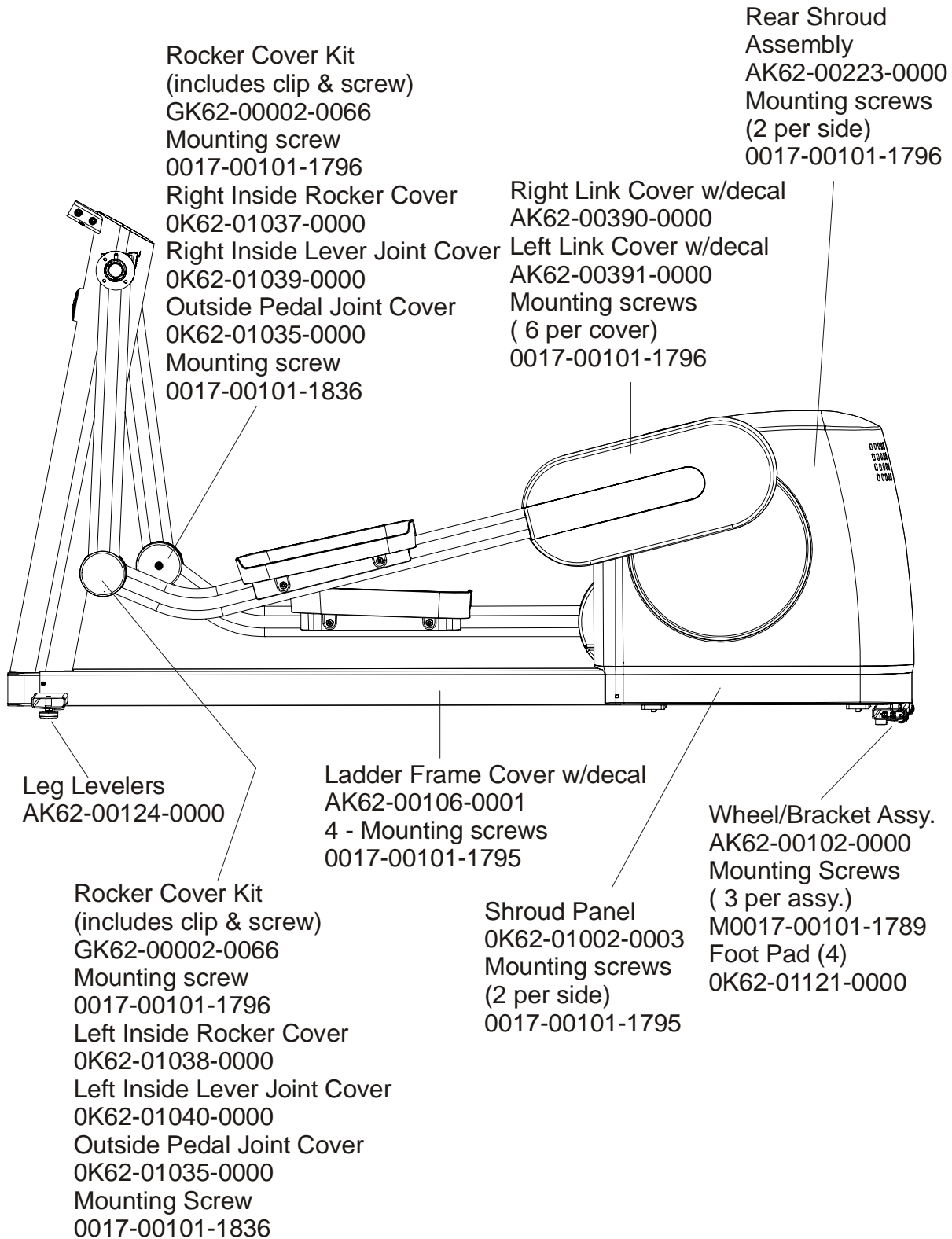




Crank Cover  
OK61-03100-0002  
2 - Mounting screws  
0017-00101-1837

Stabilizer Caps  
4 - OK68-01129-0000

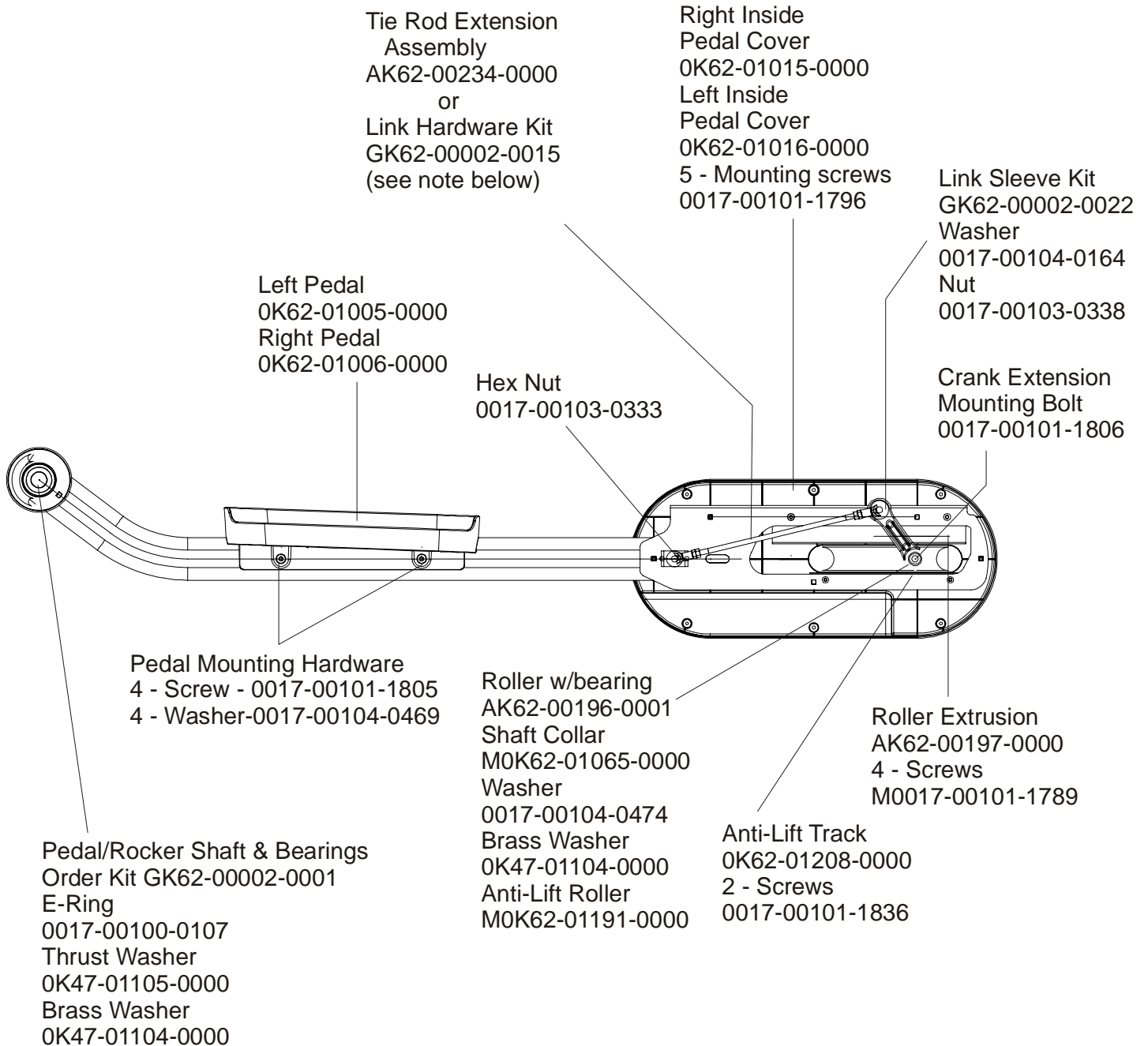
Front frame Cap  
OK62-01004-0000  
Mounting Screws  
(Located on front sides of Ladder Frame Cover)  
2- 0017-00101-1795

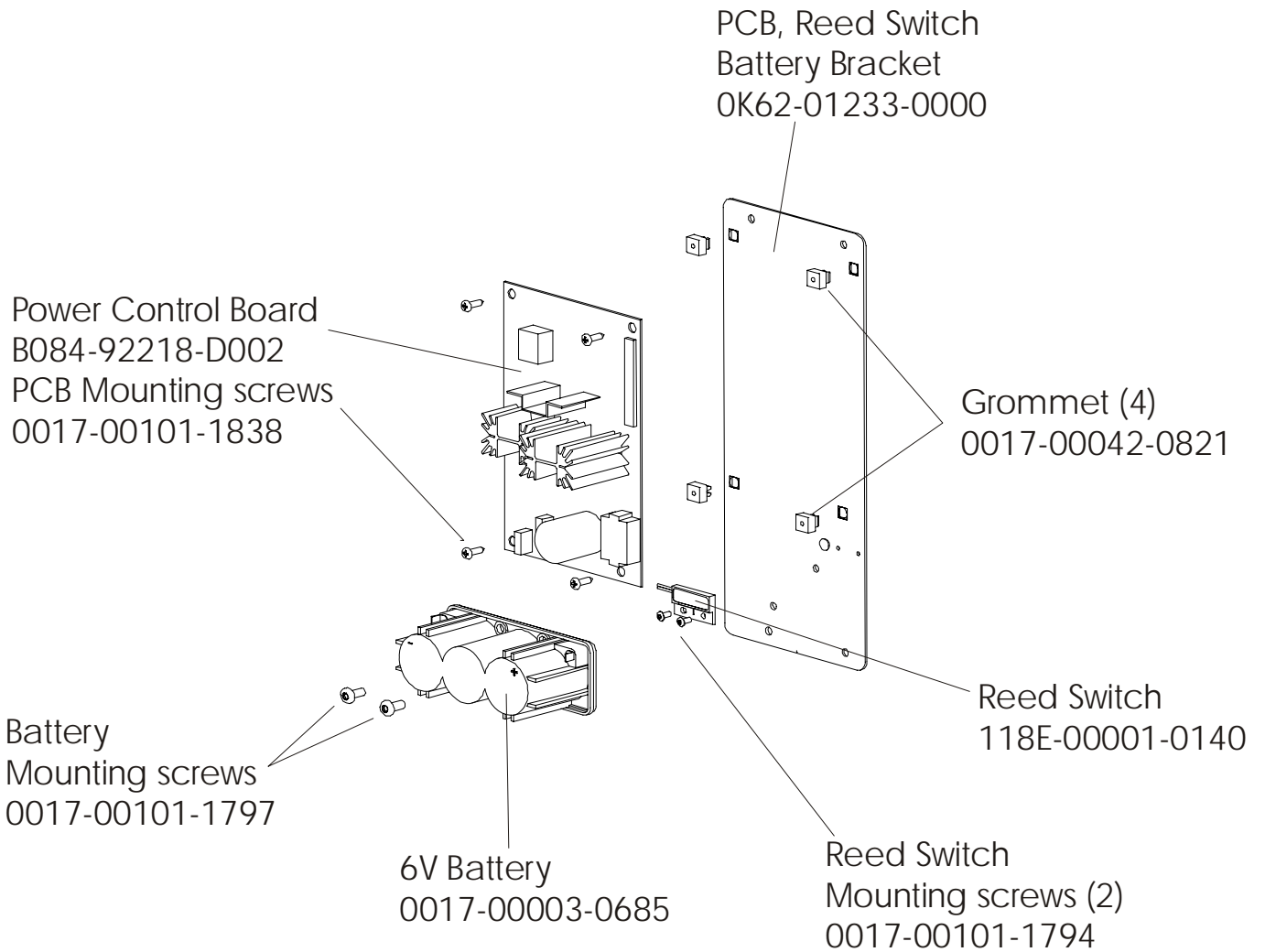


CLASSIC CROSS-TRAINER  
Pedal Lever Assembly Components

CLSXH-0XXX-01

S/N CLSXH\_ \_ \_ \_ \_





Bearing Insert Assembly  
AK62-00299-0000

Service Kit  
GK62-00002-0044  
kit contents:  
Crankshaft (1)  
Bearings (2)  
Bearing Flanges (2 sets)  
Nuts (4)  
Washers (4)

Service Kit  
GK62-000002-0045  
kit contents:  
Intermediate Shaft (1)  
Bearings (2)  
Bearing Flanges (2 sets)  
Nuts (4)  
Washers (4)

